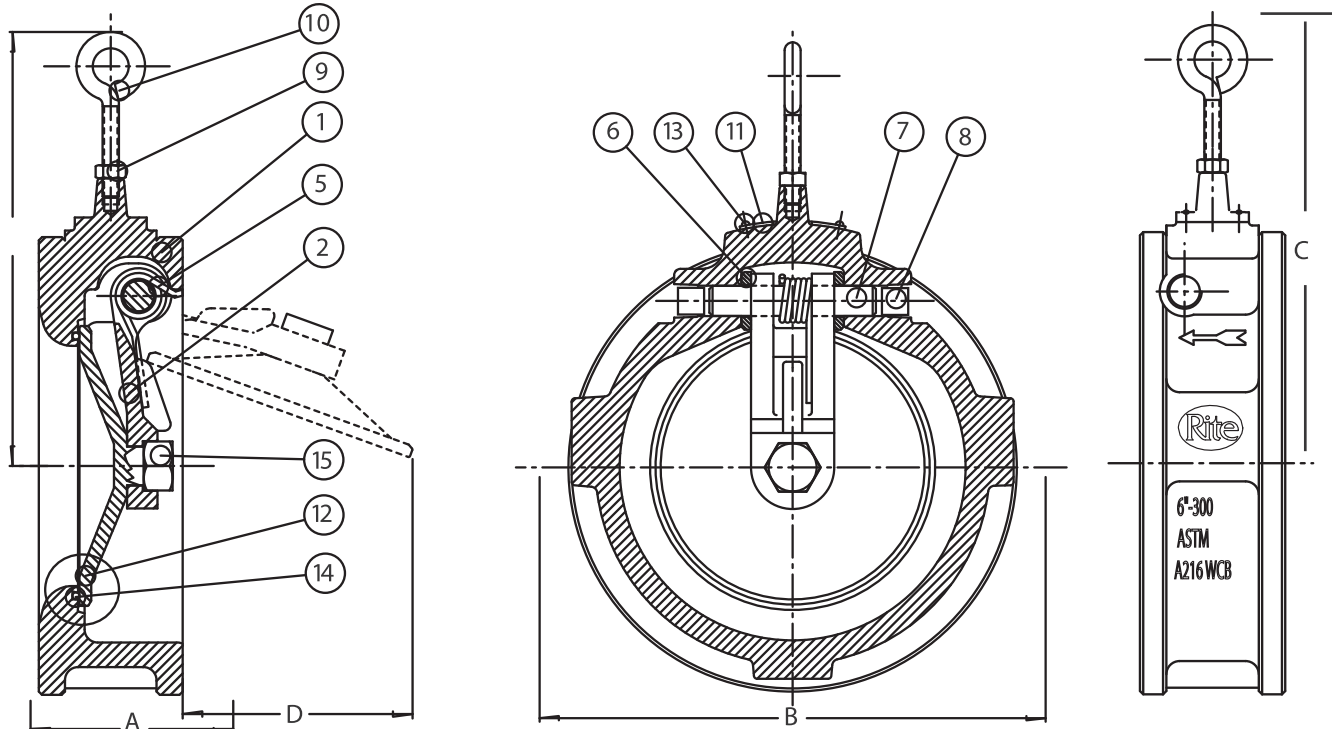
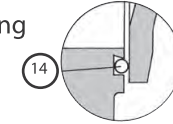


ANSI Series 125 Rated at 250 PSI. Cold Working Pressure.



Resilient O'Ring Seal Features



- A truly dynamic seal, mechanically contained in a specially designed groove.
- Unique in design and application.
- As pressure is applied to the valve disc the seal is compressed into the groove ensuring a consistent and uniform seal.
- The load on seal is controlled reducing wear for longer life.
- Maintenance is simple as the O'Ring is easily removed and replaced when worn.

Parts and Materials

Item	Description	Material
1	Body	Cast Iron ASTM -A126 CLB
2	Hinge	S/S 316 ASTM -A351 CF8M
5	Spring	SIS 316 ASTM -A313-316
6	Spacer	Teflon
7	Hinge Pin	SIS 316 ATSM -A479-316
8	Plug	Steel
9	Lock Nut	Steel Zinc Plated
10	Eye Boit	Steel Zinc Plated
11	Name Plate	Aluminum
12	Disc	SIS 316 ASTM -A351-CF8M
13	Rivets Steel	Cadmium Plated
14	O-Ring	Buna "N"

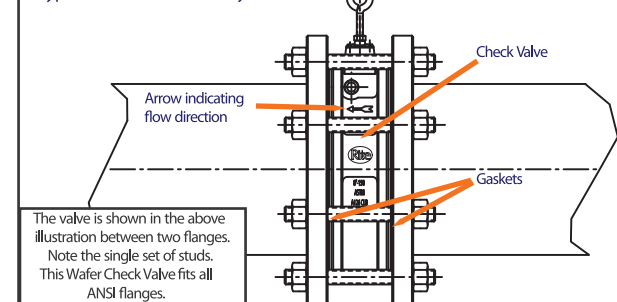
Valve Dimensions in Inches and Millimeters and Weights

Nominal Pipe Size		A		B		C		D		Weight in	
Inch	mm	Inch	mm	Inch	mm	Inch	mm	Inch	mm	lbs	kg
2	50	2.13	54	4.13	104.8	4.63	117.5	1	25.4	4.7	2.15
2.5	65	2.38	60.3	4.88	123.8	5	127	1.38	34.9	7	3.15
3	80	2.63	66.7	5.38	136.5	5.44	138.1	1.63	41.2	9	4.1
4	100	2.25	57.1	6.88	174.6	6.25	158.7	2.75	69.8	12.6	5.75
5	125	2.5	63.5	7.75	196.8	6.75	171.4	3.63	92	15.4	7
6	150	2.75	69.8	8.75	222.2	7.5	190.5	4.5	114.3	21.1	9.6
8	200	2.88	73	11	279.4	8.75	222.2	5.75	146	32.6	14.85
10	250	3.13	79.4	13.38	339.7	10	254	7.5	190.5	46.2	21
12	300	3.38	85.7	16.13	409.6	11.25	285.7	8.75	222.2	72.6	33

Bolting

No:	Diameter		Length	
	Inch	mm	Inch	mm
4	5/8	159	5.25	133.4
4	5/8	159	5.75	146.0
4	5/8	159	6	152.4
8	5/8	159	6	152.4
8	3/4	19	6.25	158.8
8	3/4	19	7	177.8
8	3/4	19	7	177.8
12	7/8	222	7.75	196.9
12	7/8	222	8	203.2

A typical horizontal assembly



The valve is shown in the above illustration between two flanges. Note the single set of studs. This Wafer Check Valve fits all ANSI flanges. It may be installed in various ways depending on the specifications required for the system.