

Features

- Snap-off bolt head helps enable easy installation and inspection of seismic sway braces
- Entire range works with 1" through 2" brace pipes and 1/4" angle iron helping to reduce inventory
- Slotted design grabs service pipe for robust gripping strength

Product Listings

- Meets NFPA®-13 requirements for seismic sway bracing
- UL® Listed for SCH 7, SCH 10 and SCH 40 service pipes
- UL Listed load up to 3,000 lbs (13,345 N) in both lateral and longitudinal directions
- FM Approved for SCH 7, SCH 10, SCH 40, GB/T 3091, GB/T 3092 and GB/T 8163 service pipes

Standard Universal Sway Brace



Standard Universal Sway Brace

The Standard Universal Sway Brace from ERICO® is the latest innovation designed to simplify installations when bracing service pipe for seismic or other catastrophic events. It is ideal for use in lateral and longitudinal sway bracing applications and features a slotted design for robust gripping strength.

The special serrated flange-head bolts eliminate the need to use wrenches on the bolt and nut. Just hold the bolt in place with your finger and tighten the nut from the front side.

Installation is easy...



Step 1: Place the Standard Universal Sway Brace around the pipe by loosening the bolts and sliding around the pipe. Insert bolt through hole, mount nut and tighten.

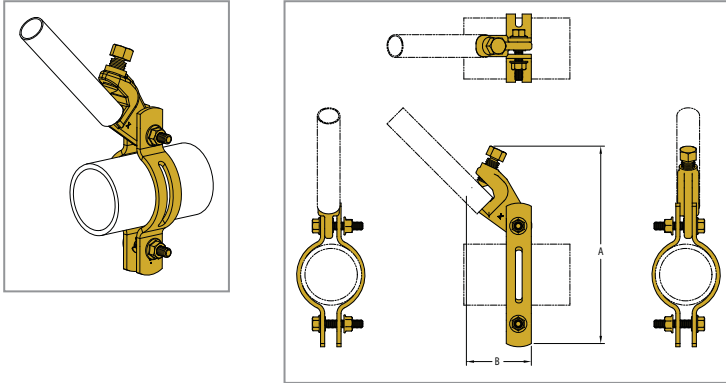


Step 2: Position brace and then tighten the nuts until securely locked in place.



Step 3: Attach the Standard Universal Sway Brace to pre-mounted brace pipe and tighten bolt on brace pipe attachment until bolt head shears off.





- For use in lateral and longitudinal sway bracing applications
- Standard electro-galvanized finish provides superior corrosion protection
- Hot-dipped galvanized finish is also available as special order

Specifications

Part Number	Description	Service Pipe Size in (mm)	UL Listed Load SCH 7 Lateral Bracing lbs (N)	UL Listed Load SCH 10/40 Lateral Bracing lbs (N)	UL Listed Load SCH 7 Longitudinal Bracing lbs (N)	UL Listed Load SCH 10/40 Longitudinal Bracing lbs (N)	FM Approved Design Load SCH 7/10/40 Lateral Bracing lbs (N)	FM Approved Design Load SCH 7/10/40 Longitudinal Bracing lbs (N)	A in (mm)	B in (mm)
CSBSTU0100EG	1" (25 mm) Standard Universal Sway Brace EG	1 (25)	N/A	655 (2,314)	N/A	655 (2,314)	2,400** (10,675)	2,500** (11,120)	6-7/8 (174.6)	1 (25)
CSBSTU0125EG	1-1/4" (32 mm) Standard Universal Sway Brace EG	1-1/4 (32)	655 (2,314)	655 (2,314)	655 (2,314)	655 (2,314)	2,400 (10,675)	2,500 (11,120)	7-3/8 (187.4)	1 (25)
CSBSTU0150EG	1-1/2" (40 mm) Standard Universal Sway Brace EG	1-1/2 (40)	655 (2,314)	655 (2,314)	655 (2,314)	655 (2,314)	2,400 (10,675)	2,500 (11,120)	7-3/4 (196.9)	1 (25)
CSBSTU0200EG	2" (50 mm) Standard Universal Sway Brace EG	2 (50)	3,000* (13,344)	3,000* (13,344)	655 (2,314)	655 (2,314)	3,300 (14,679)	3,200 (14,234)	8-1/8 (206.4)	1-13/16 (30.2)
CSBSTU0250EG	2-1/2" (65 mm) Standard Universal Sway Brace EG	2-1/2 (65)	3,000* (13,344)	3,000* (13,344)	2,015 (8,963)	2,015 (8,963)	3,300 (14,679)	3,200 (14,234)	8-7/8 (225.4)	1-13/16 (30.2)
CSBSTU0300EG	3" (80 mm) Standard Universal Sway Brace EG	3 (80)	3,000* (13,344)	3,000* (13,344)	2,015 (8,963)	2,015 (8,963)	3,300 (14,679)	3,200 (14,234)	9-3/8 (238.1)	1-13/16 (30.2)
CSBSTU0400EG	4" (100 mm) Standard Universal Sway Brace EG	4 (100)	3,000* (13,344)	3,000* (13,344)	2,015 (8,963)	2,015 (8,963)	4,500 (20,016)	4,250 (18,904)	10-5/8 (269.9)	1-1/2 (38.1)
CSBSTU0500EG	5" (125 mm) Standard Universal Sway Brace EG	5 (125)	3,000* (13,344)	3,000* (13,344)	2,015 (8,963)	2,015 (8,963)	4,500 (20,016)	3,500 (15,560)	12-1/8 (308.0)	1-1/2 (38.1)
CSBSTU0600EG	6" (150 mm) Standard Universal Sway Brace EG	6 (150)	3,000* (13,344)	3,000* (13,344)	2,015 (8,963)	2,015 (8,963)	4,500 (20,016)	3,500 (15,560)	13-5/8 (346.1)	2 (50.8)
CSBSTU0800EG	8" (200 mm) Standard Universal Sway Brace EG	8 (200)	N/A	3,000* (13,344)	N/A	2,015 (8,963)	5,500** (24,465)	4,250** (18,904)	15-3/4 (400.1)	2 (50.8)
CSBSTU1000EG	10" (250 mm) Standard Universal Sway Brace EG	10 (250)	N/A	3,000* (13,344)	N/A	3,000** (13,344)	5,500** (24,465)	4,250** (18,904)	18 (457.2)	2 (50.8)

* When using angle iron instead of brace pipe load ratings reduced to 2,015 lbs or (8,963 N).
 ** Not applicable for SCH 7.

UL is a registered trademark of Underwriters Laboratories, Inc. NFPA is a registered trademark of the National Fire Protection Association.

WARNING – ERICO products shall be installed and used only as indicated in ERICO's product instruction sheets and training materials. Instruction sheets are available at www.erico.com and from your ERICO customer service representative. Improper installation, misuse, misapplication or other failure to completely follow ERICO's instructions and warnings may cause product malfunction, property damage, serious bodily injury and death.

Copyright ©2009 ERICO International Corporation. All rights reserved.
 CADDY, CADWELD, CRITEC, ERICO, ERIFLEX, ERITECH, and LENTON are registered trademarks of ERICO International Corporation.