



## Features

- Snap-off bolt head helps enable easy installation and inspection of seismic sway braces and eliminates the need to use a torque wrench
- For use in lateral sway bracing applications
- Standard electro-galvanized finish provides superior corrosion protection
- Hot-dipped galvanized finish is also available as special order



*Products meet NFPA requirements for seismic applications!*



## Installation is easy...



**Step 1:**  
Slide Quick Lateral Brace onto service pipe.



**Step 2:**  
Slide brace pipe over service pipe and through loops of the Quick Lateral Brace.



**Step 3:**  
Finger tighten the bolts until brace pipe is firmly held in place.



**Step 4:**  
Attach brace pipe to structure. (Pictured: I-Beam Adaptor with Universal Structural Attachment.)



**Step 5:**  
Tighten bolts until heads shear off.

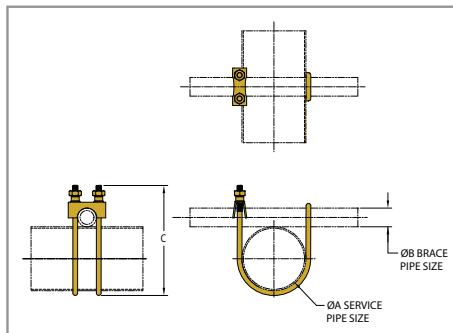
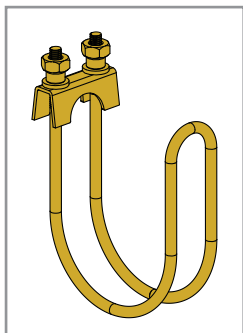
## Product Listings

- Meets NFPA®-13 requirements for seismic sway bracing
- UL® Listed for SCH 7, SCH 10 and SCH 40 service pipes
- FM Approved for SCH 7, SCH 10, SCH 40, GB/T 3091, GB/T 3092 and GB/T 8163 service pipes.



## Specifications

Part Number	Description	A - Service Pipe Size in (mm)	B - Brace Pipe Size in (mm)	UL Listed Load (SCH 7) Lateral Bracing lbs (N)	UL Listed Load SCH 10 Lateral Bracing lbs (N)	UL Listed Load SCH 40 Lateral Bracing lbs (N)	C in (mm)
CSBQIK1000100EG	Quick lateral brace 1x1" (25x25 mm) EG	1 (25)	1 (25)	N/A	655 (2,913)	655 (2,913)	4 3/4 (120.5)
CSBQIK1000125EG	Quick lateral brace 1x1-1/4" (32x25 mm) EG	1-1/4 (32)	1 (25)	435 (1,934)	655 (2,913)	655 (2,913)	4 7/8 (124.1)
CSBQIK1000150EG	Quick lateral brace 1x1-1/2" (40x25 mm) EG	1-1/2 (40)	1 (25)	435 (1,934)	655 (2,913)	655 (2,913)	5 3/16 (131.1)
CSBQIK1000200EG	Quick lateral brace 1x2" (50x25 mm) EG	2 (50)	1 (25)	435 (1,934)	655 (2,913)	655 (2,913)	5 5/8 (142.4)
CSBQIK1000250EG	Quick lateral brace 1x2-1/2" (65x25 mm) EG	2-1/2 (65)	1 (25)	435 (1,934)	655 (2,913)	655 (2,913)	6 1/8 (155.5)
CSBQIK1000300EG	Quick lateral brace 1x3" (80x25 mm) EG	3 (80)	1 (25)	655 (2,913)	655 (2,913)	655 (2,913)	6 5/8 (169)
CSBQIK1000350EG	Quick lateral brace 1x3-1/2" (90x25 mm) EG	3-1/2 (90)	1 (25)	N/A	N/A	655 (2,913)	7 1/4 (184.1)
CSBQIK1000400EG	Quick lateral brace 1x4" (100x25 mm) EG	4 (100)	1 (25)	655 (2,913)	655 (2,913)	655 (2,913)	7 3/4 (196.4)
CSBQIK1000500EG	Quick lateral brace 1x5" (125x25 mm) EG	5 (125)	1 (25)	N/A	935 (4,159)	935 (4,159)	8 15/16 (224.1)
CSBQIK1000600EG	Quick lateral brace 1x6" (150x25 mm) EG	6 (150)	1 (25)	N/A	N/A	1,265 (5,627)	9 7/8 (251.1)
CSBQIK1250100EG	Quick lateral brace 1-1/4x1" (25x32 mm) EG	1 (25)	1-1/4 (32)	N/A	655 (2,913)	655 (2,913)	5 (125.9)
CSBQIK1250125EG	Quick lateral brace 1-1/4x1-1/4" (32x32 mm) EG	1-1/4 (32)	1-1/4 (32)	435 (1,934)	655 (2,913)	655 (2,913)	5 5/16 (134.5)
CSBQIK1250150EG	Quick lateral brace 1-1/4x1-1/2" (40x32 mm) EG	1-1/2 (40)	1-1/4 (32)	435 (1,934)	655 (2,913)	655 (2,913)	5 5/16 (134.5)
CSBQIK1250200EG	Quick lateral brace 1-1/4x2" (50x32 mm) EG	2 (50)	1-1/4 (32)	435 (1,934)	655 (2,913)	655 (2,913)	6 (152.8)
CSBQIK1250250EG	Quick lateral brace 1-1/4x2-1/2" (65x32 mm) EG	2-1/2 (65)	1-1/4 (32)	435 (1,934)	655 (2,913)	655 (2,913)	6 1/2 (165.7)
CSBQIK1250300EG	Quick lateral brace 1-1/4x3" (80x32 mm) EG	3 (80)	1-1/4 (32)	655 (2,913)	655 (2,913)	655 (2,913)	7 1/8 (181.4)
CSBQIK1250350EG	Quick lateral brace 1-1/4x3-1/2" (90x32 mm) EG	3-1/2 (89)	1-1/4 (32)	N/A	N/A	655 (2,913)	7 11/16 (194.5)
CSBQIK1250400EG	Quick lateral brace 1-1/4x4" (100x32 mm)	4 (100)	1-1/4 (32)	655 (2,913)	655 (2,913)	655 (2,913)	8 1/8 (205.8)
CSBQIK1250500EG	Quick lateral brace 1-1/4x5" (125x32 mm) EG	5 (125)	1-1/4 (32)	N/A	935 (4,159)	935 (4,159)	9 1/4 (234.5)
CSBQIK1250600EG	Quick lateral brace 1x6" (150x25 mm) EG	6 (150)	1-1/4 (32)	1,265 (5,625)	1,265 (5,625)	1,265 (5,625)	10 5/16 (261.5)



## FM Approved Design Loads\*

Service Pipe Size	SCH 7 lbs (N)	SCH 10 lbs (N)	SCH 40 lbs (N)
1" - 1-1/2"	800** (3,558)	1,300 (5,782)	1,700 (7,561)
2" - 3-1/2"	900 (4,003)	1,300 (5,782)	1,700 (7,561)
4"	1,300 (5,782)	1,500 (6,672)	1,900 (8,451)
5"	1,300 (5,782)	1,500 (6,672)	1,500 (6,672)
6"	1,400 (6,227)	1,500 (6,672)	1,500 (6,672)

\* FM Approved load ratings valid with 1" and 1-1/4" brace pipe

\*\* Not applicable for 1"

UL is a registered trademark of Underwriters Laboratories, Inc. NFPA is a registered trademark of the National Fire Protection Association.

### WARNING

ERICO products shall be installed and used only as indicated in ERICO's product instruction sheets and training materials. Instruction sheets are available at [www.erico.com](http://www.erico.com) and from your ERICO customer service representative. Improper installation, misuse, misapplication or other failure to completely follow ERICO's instructions and warnings may cause product malfunction, property damage, serious bodily injury and death.

Copyright ©2009 ERICO International Corporation. All rights reserved.

CADDY, CADWELD, CRITEC, ERICO, ERIFLEX, ERITECH, and LENTON are registered trademarks of ERICO International Corporation.

Phone: 800-333-0852

Fax: 800-677-5403

[www.erico.com](http://www.erico.com)