

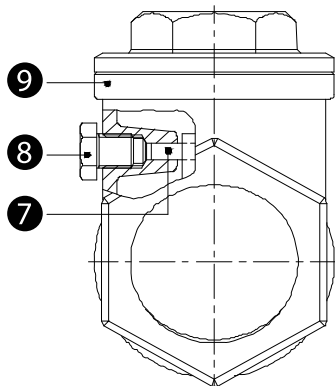
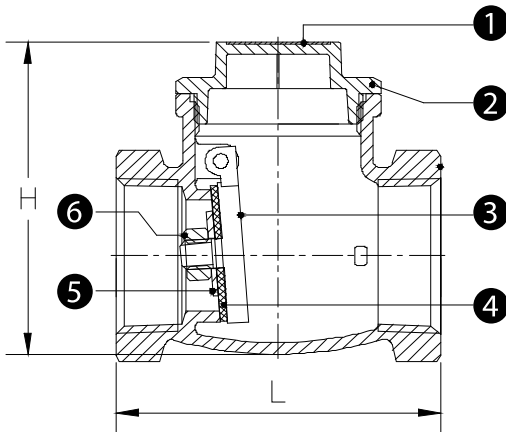
SWING CHECK VALVES



LynCar's Swing Check valves are rubber seated for Fire Protection use.

Material Specifications

Number	Part Name	Material(s)
1	Name Plate	Aluminum (A1100)
2	Cap	Brass (ASTM-UNS B584 C 85710)
3	Disc	Brass (ASTM-UNS B584 C 85710)
	Disc Holder	Brass (ASTM-UNS B584 C 85710)
4	Seat Packing	Rubber (NBR) FN80(4) Teflon (POLYFLON PTFE M-392)
5	Washer	Brass (ASTM-UNS B16 C36000) Brass (ASTM-UNS B584 C 85710)
6	Seat Nut	Brass (ASTM-UNS B16 C36000)
7	Pin	Brass (ASTM-UNS B124 C 37700)
8	Lock Bolt	Brass (ASTM-UNS B16 C 36000)
9	Body	Brass (ASTM-UNS B584 C 85710)



- > LynCar's Swing Check Valve
- > 200 WOG valve
- > Rubber Seated for Fire Protection use
- > Cast brass body IPS Threaded

Size Specifications

Part#	Size
8078012	1/2"
8078034	3/4"
8078100	1"
8078114	1 1/4"
8078112	1 1/2"
8078200	2"