

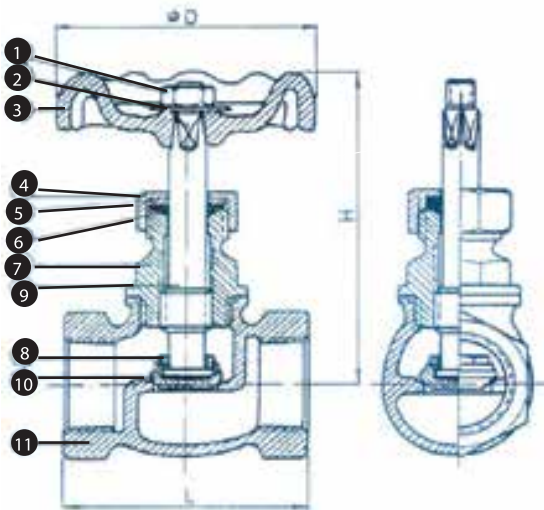
## GLOBE VALVES



Brass material, threaded ends

### Material Specifications

Number	Part Name	Material(s)
1	Wheel nut	Hot rolled (SAE1010R) Brass (ASTM-UNS B124 C37700)
2	Name plate	Aluminum (A1100)
3	Handwheel Cross handle Pegler handle	Cast Iron (JIS ZZ2202) Brass (ASTM-UNS B584 C85710) Cast Iron (JIS ZZ2202)
4	Packing nut	Brass (ASTM-UNS B16 C36000)
5	Gland ring	Brass (ASTM-UNS B16 C36000)
6	Gland packing	Graphite (LK 33 NAFG) Teflon (Polyflon PTFE M-392)
7	Bonnet	Brass (ASTM-UNS B584 C85710) Brass (ASTM-UNS B16 C36000)
8	Lock nut	Brass (ASTM-UNS B16 C36000)
9	Stem	Brass (ASTM-UNS B584 C85710) Brass (ASTM-UNS B16 C36000)
10	Disc	Brass (ASTM-UNS B16 C36000) Brass (ASTM-UNS C85710)
11	Body	Brass (ASTM-UNS C85710)



> LynCar's 200 WOG Globe valve

> Rubber seated for fire protection use

> Cast brass body IPS threaded

### Size and Parts Specifications

Part#	Size	"H"(mm)	"L"(mm)	"D"(mm)	Parts Included
8075014	1/4"	73.5	45	54	1, 2, 3, 4, 6, 7, 9, 10, 11
8075012	1/2"	67.5	48	54	1, 2, 3, 4, 6, 7, 9, 10, 11
8075034	3/4"	75.5	56	55.5	1, 2, 3, 4, 6, 7, 9, 10, 11
8075100	1"	86.5	64.5	70	1, 2, 3, 4, 6, 7, 9, 10, 11
8075114	1-1/4"	110	74	75	1, 2, 3, 4, 5, 6, 7, 8, 9, 10, 11
8075112	1-1/2"	130	84	84	1, 2, 3, 4, 5, 6, 7, 8, 9, 10, 11
8075200	2"	153	99.5	95	1, 2, 3, 4, 5, 6, 7, 8, 9, 10, 11