

FURNAS Pressure Switch

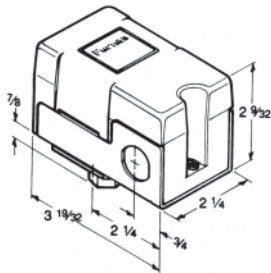
Specifications page 2

69M/69H Modifications

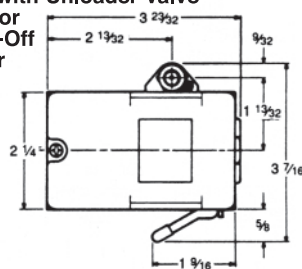
Description	Series	Catalog Number Suffix Add suffixes in order shown
Auto-off disconnect lever	69M	L
Unloader valve	69M	Y
Quick connects (load terminal only)	69M, 69H	A
Two rubber grommets for 1/2" conduit hole	69M, 69H	G
NRMA 3 outdoor weatherproof enclosure— Cannot be used with Auto-Off disconnect lever		W
Two rubber grommets for 1/2" conduit hole Cannot be used with Auto-Off disconnect lever		X
Pipe Fittings		
1/4" male NPT	69M, 69H	2A
1/8" female NPT	69M, 69H	2B
Four port manifold (each port is 1/4" NPT)	69M	2C
3/8" female NPT	69M	2J
1/4"-19 female BSP	69M, 69H	2R
1/4"-19 male BSP	69M, 69H	2W
1/4" female NPT	69H	2S
Special pressure settings: Suffix Z is followed by setting Example: 69HAU1LYZ90120		Z†

† See Instruction Sheet included with switch for manual adjusting instructions.

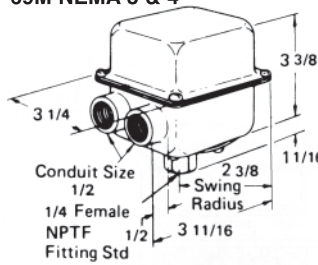
69M Dimensions



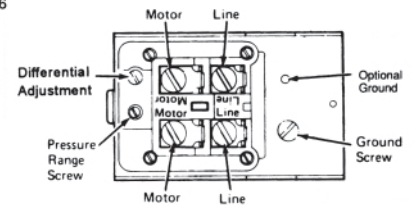
69M with Unloader Valve and/or Auto-Off Lever



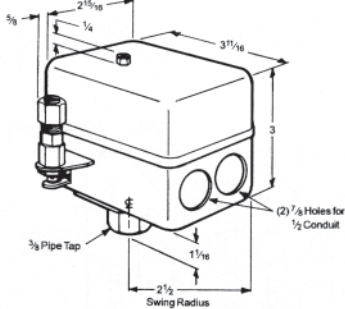
69M NEMA 3 & 4



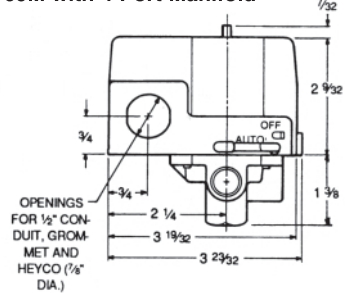
Connection Diagram



69H with Unloader Valve



69M with 4 Port Manifold



69HA3, 69HB3 NEMA 3 & 4

